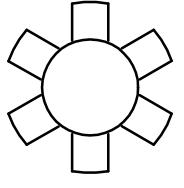
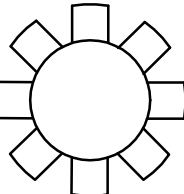
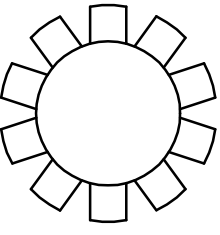
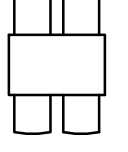
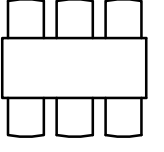
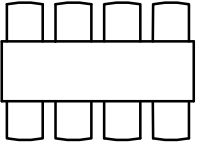
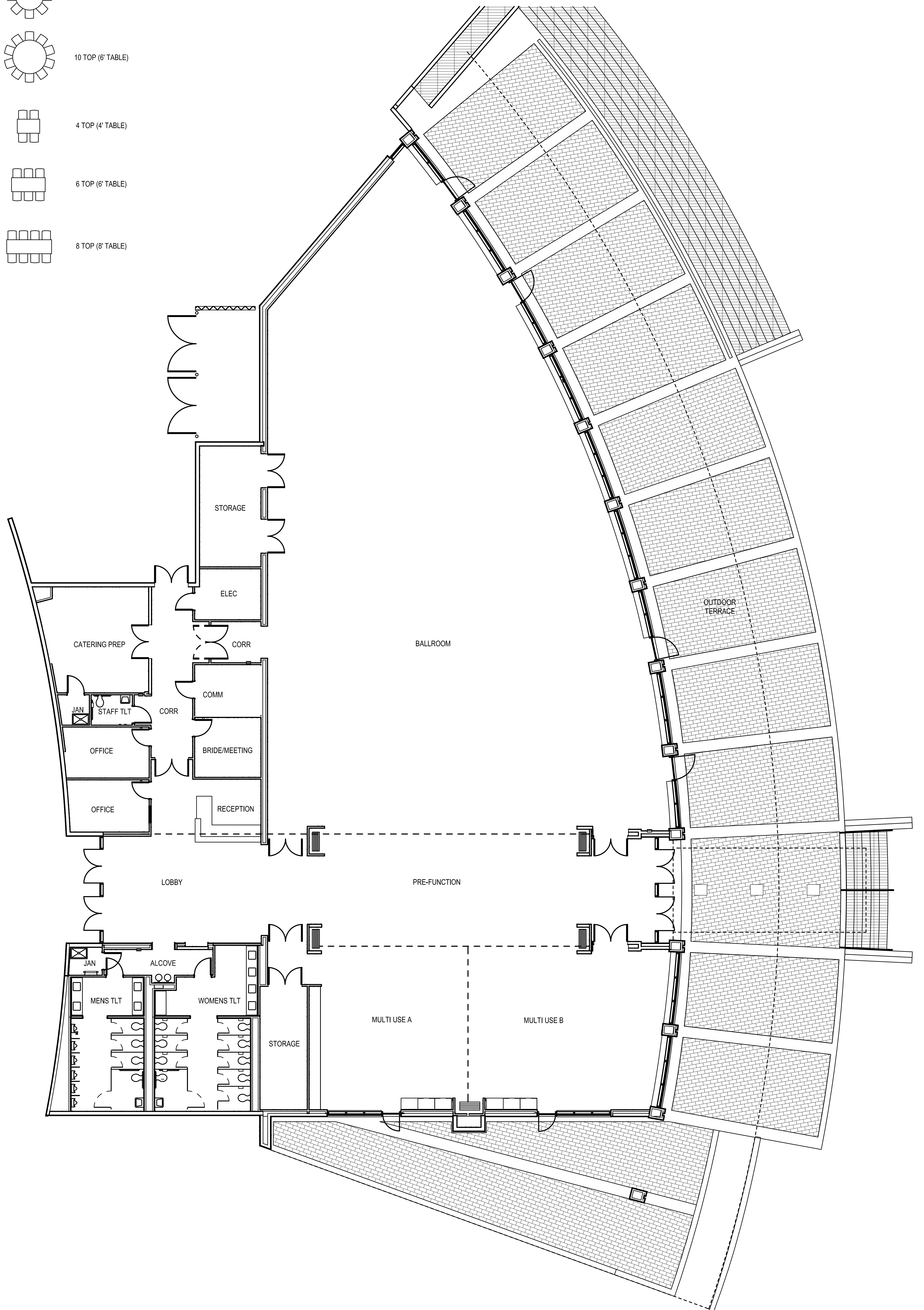


-  6 TOP (4' TABLE)
-  8 TOP (5' TABLE)
-  10 TOP (6' TABLE)
-  4 TOP (4' TABLE)
-  6 TOP (6' TABLE)
-  8 TOP (8' TABLE)



BRANNON CENTER FLOOR PLAN

1/8" = 1'-0"